



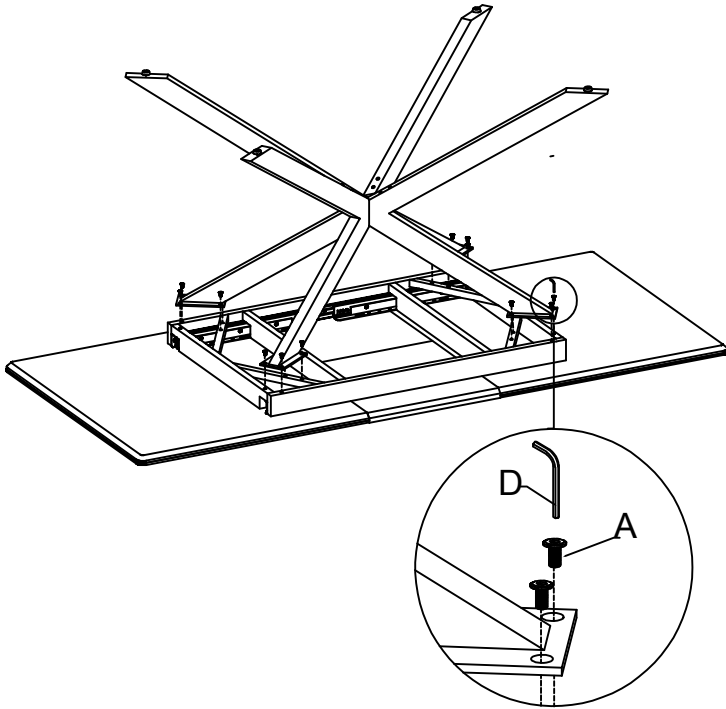


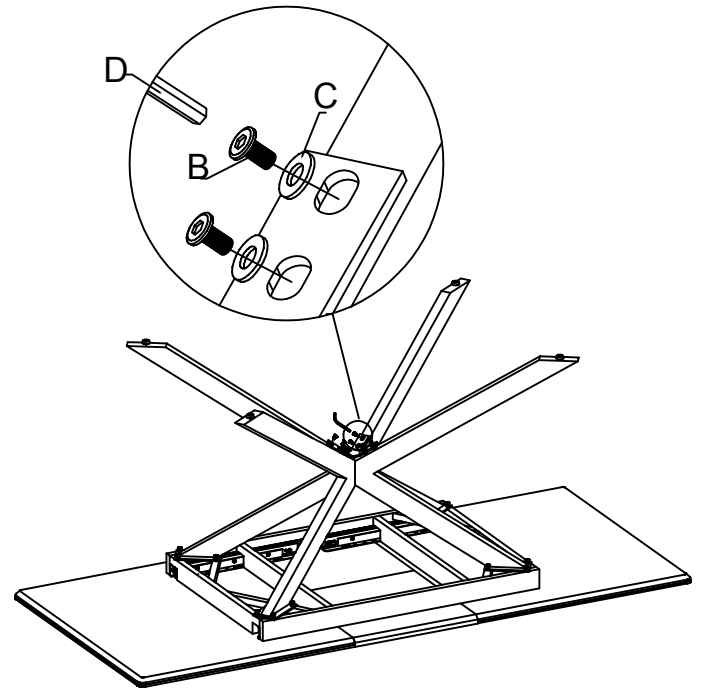
ASSEMBLY INSTRUCTIONS

<p>A x16</p>  <p>M6x16</p>	<p>B x8</p>  <p>M8x16</p>	<p>C x8</p>  <p>8x16</p>	<p>D x1</p> 			
--	--	---	---	--	--	--

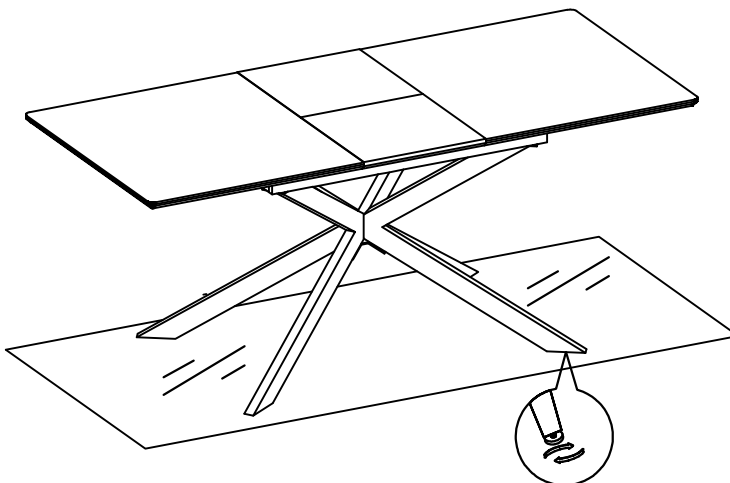
STEP 1.



STEP 2.



STEP 3.



STEP 4.

