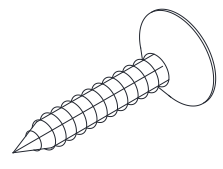
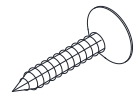


D



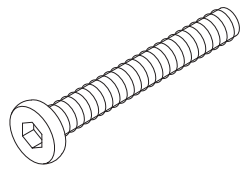
x22

E



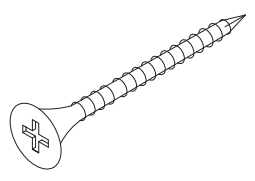
x16

F



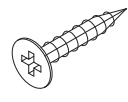
x8

G



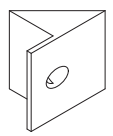
x10

H



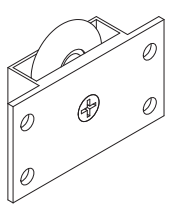
x8

I



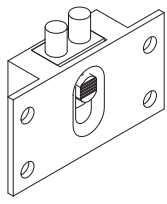
x8

J



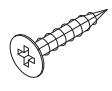
x2

K



x2

L



x16

M



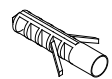
x12

N



x2

O



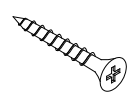
x2

P



x2

Q



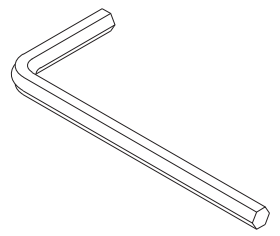
x2

R



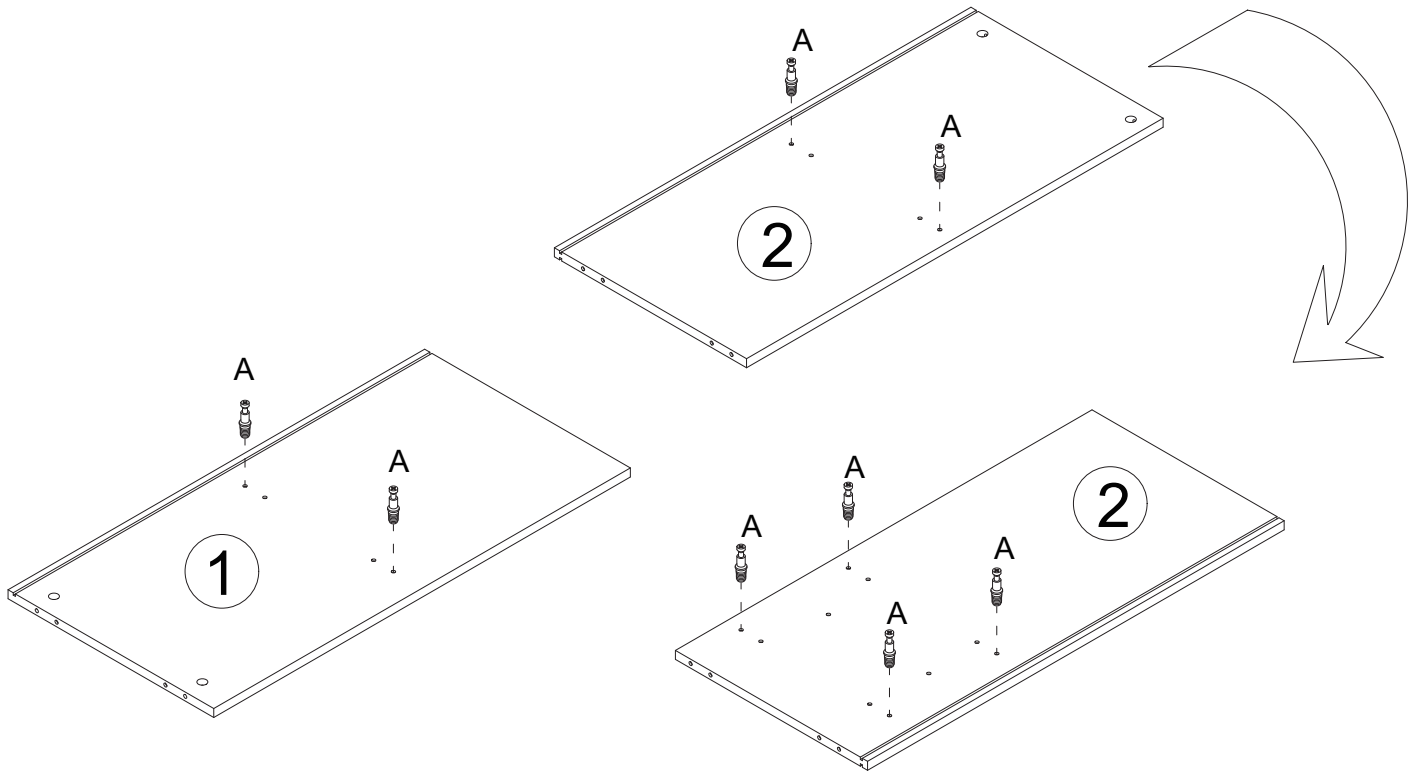
x8

S

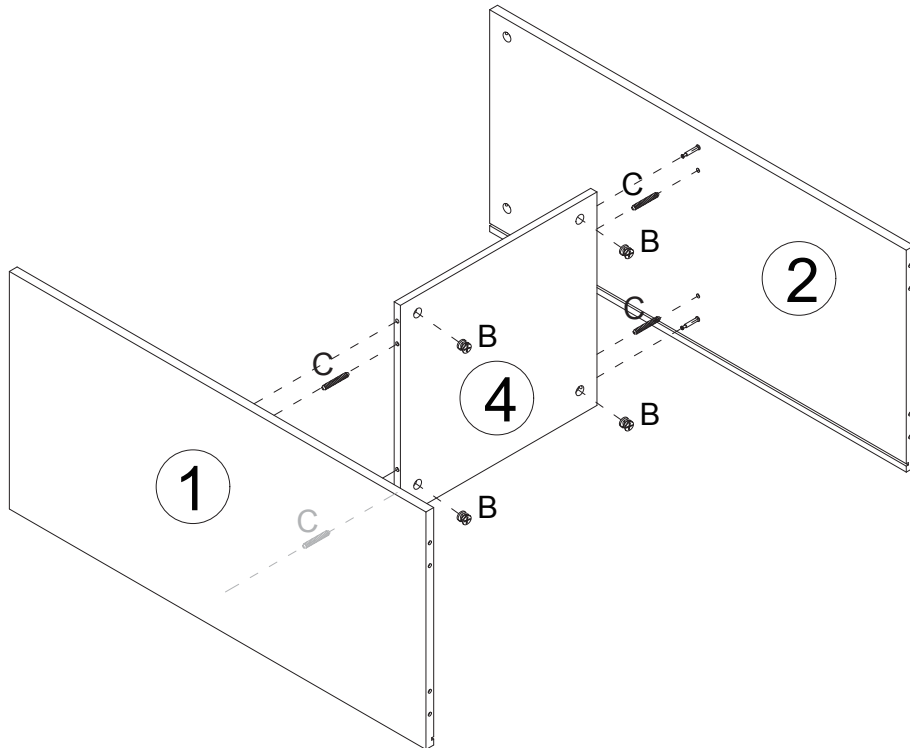


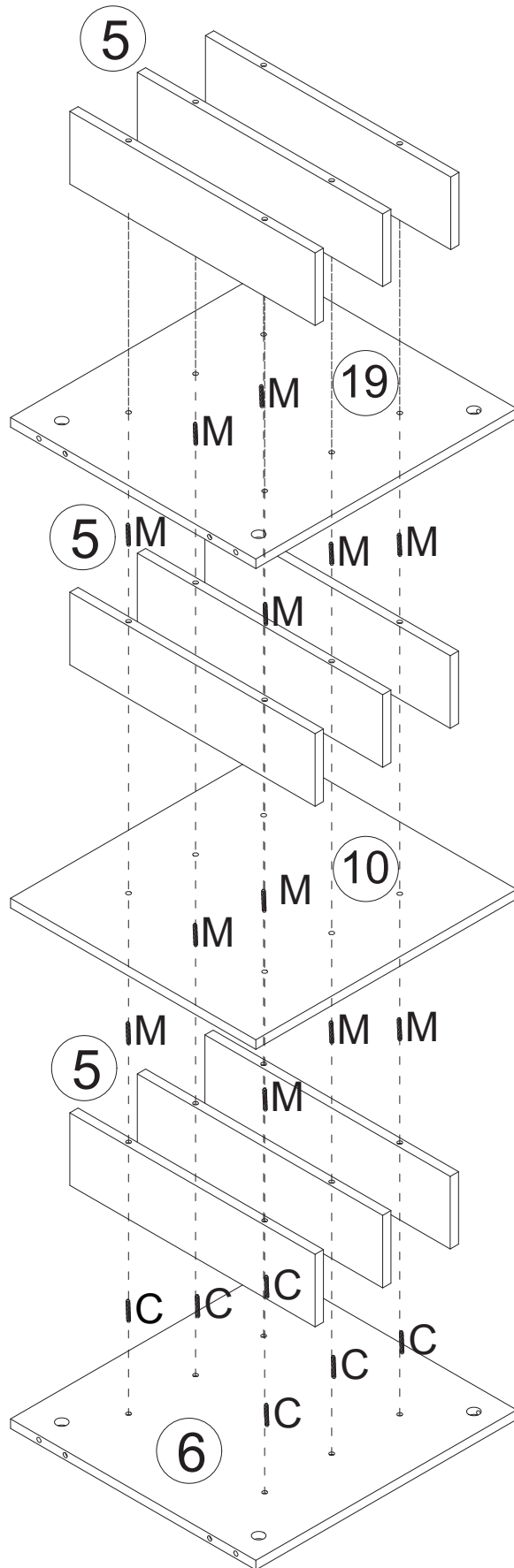
x1

1

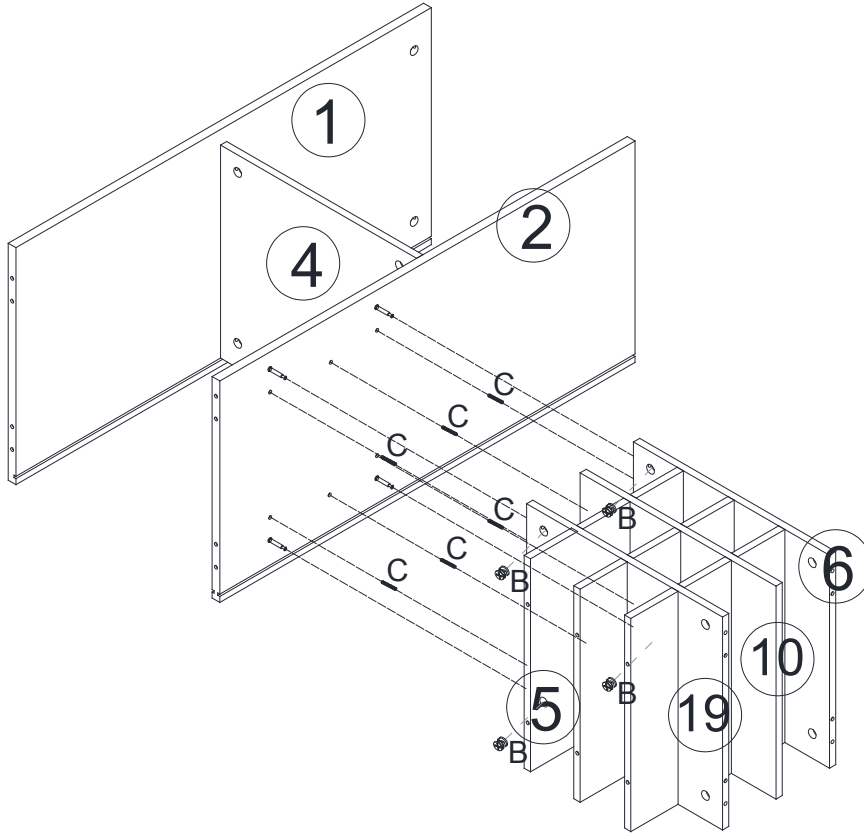


2

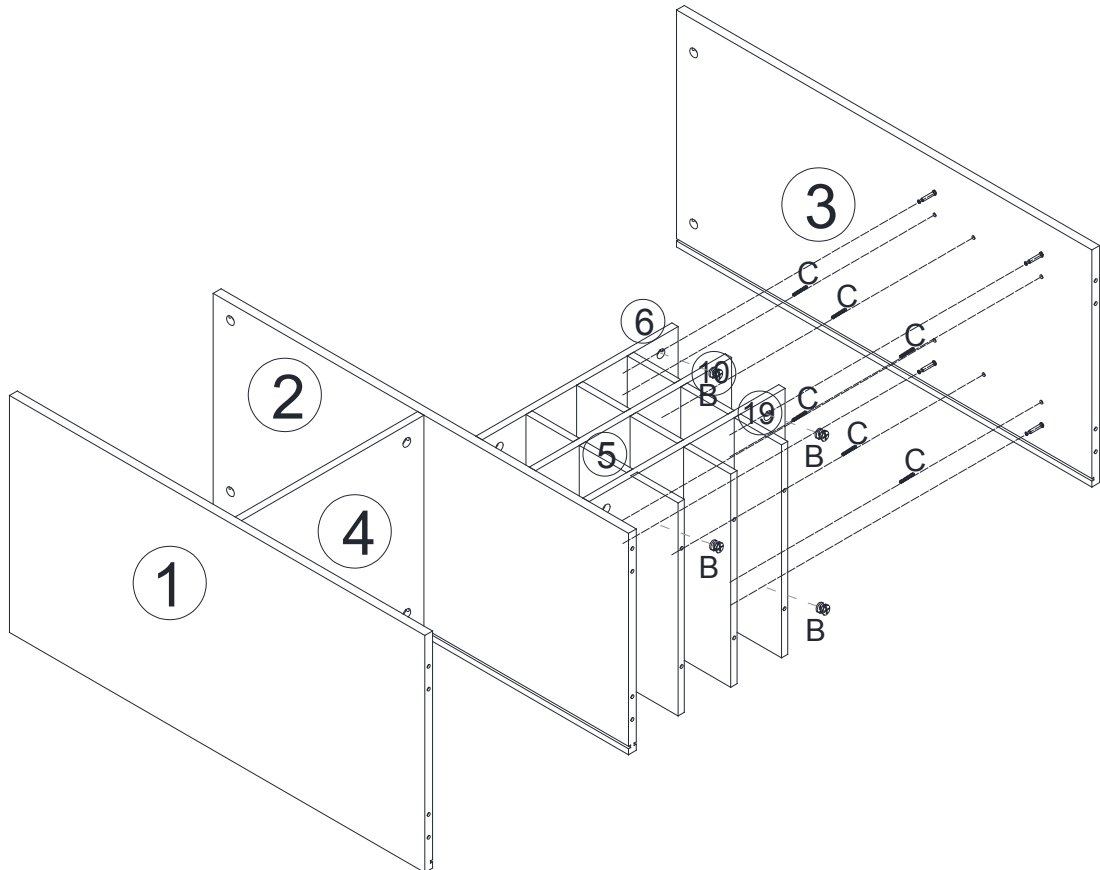


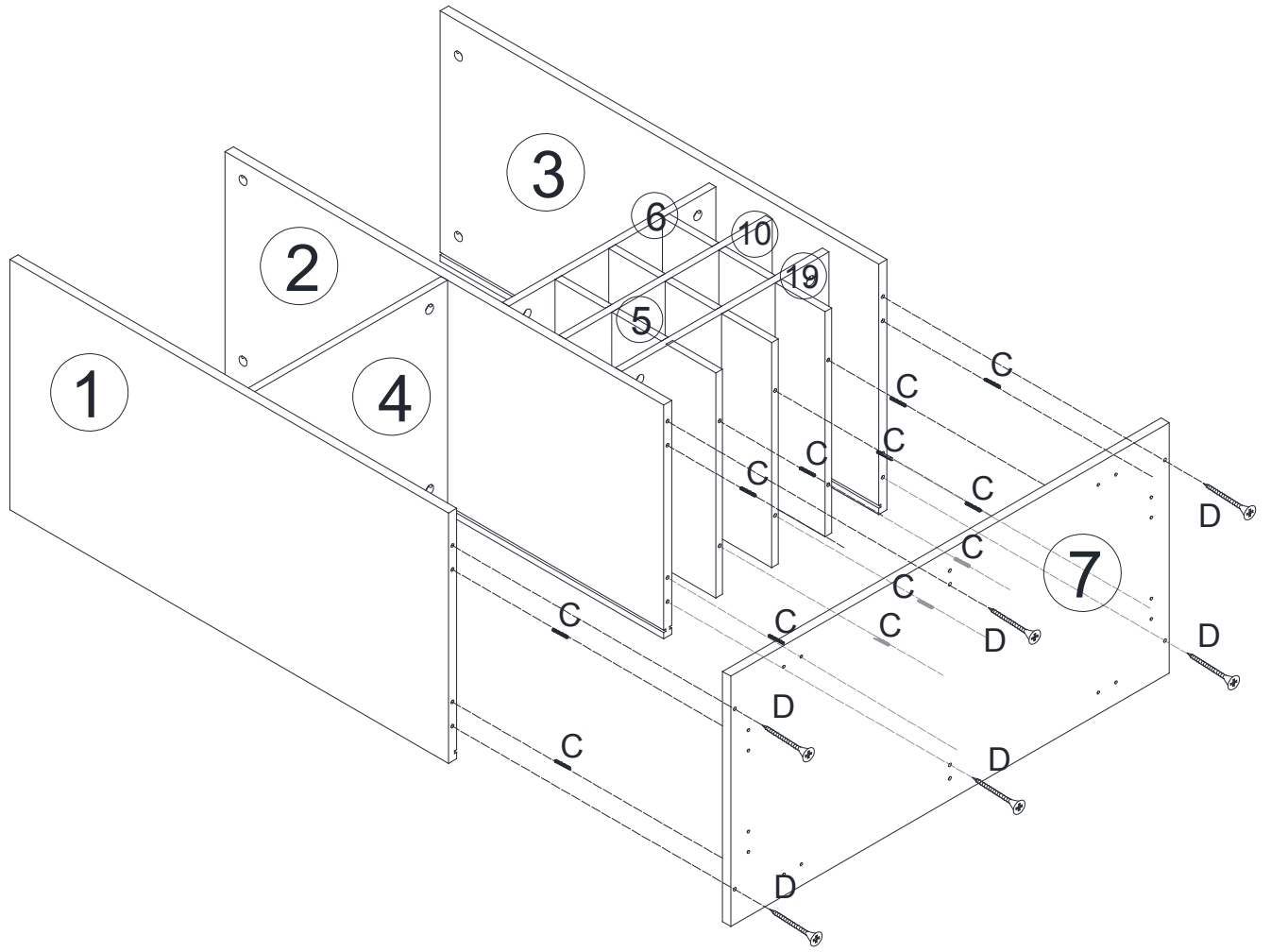


4



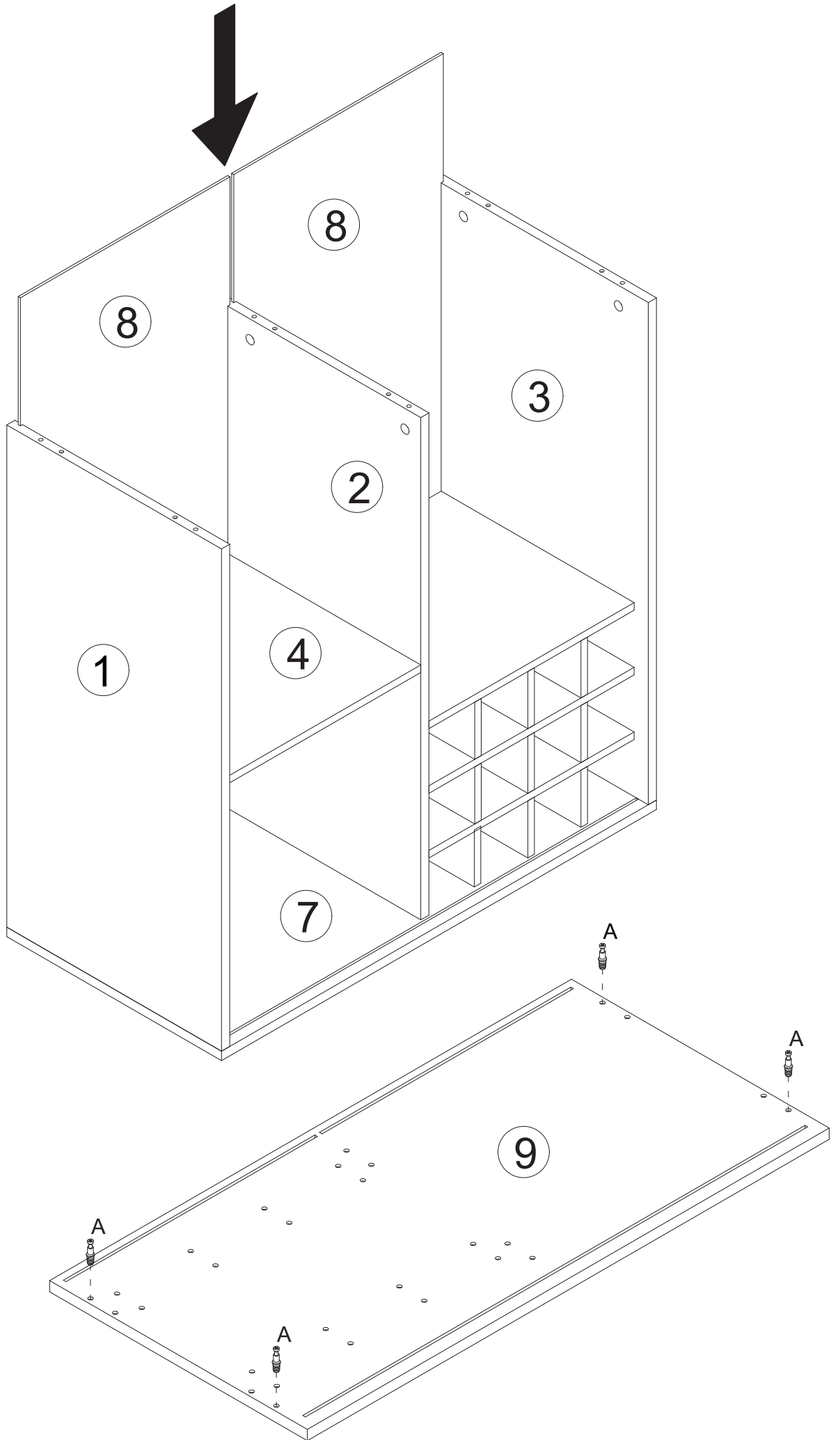
5



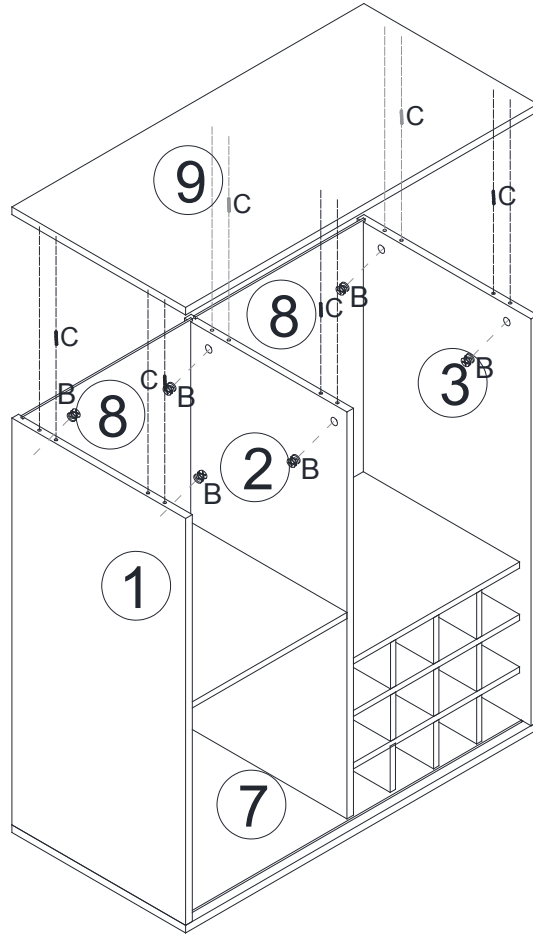




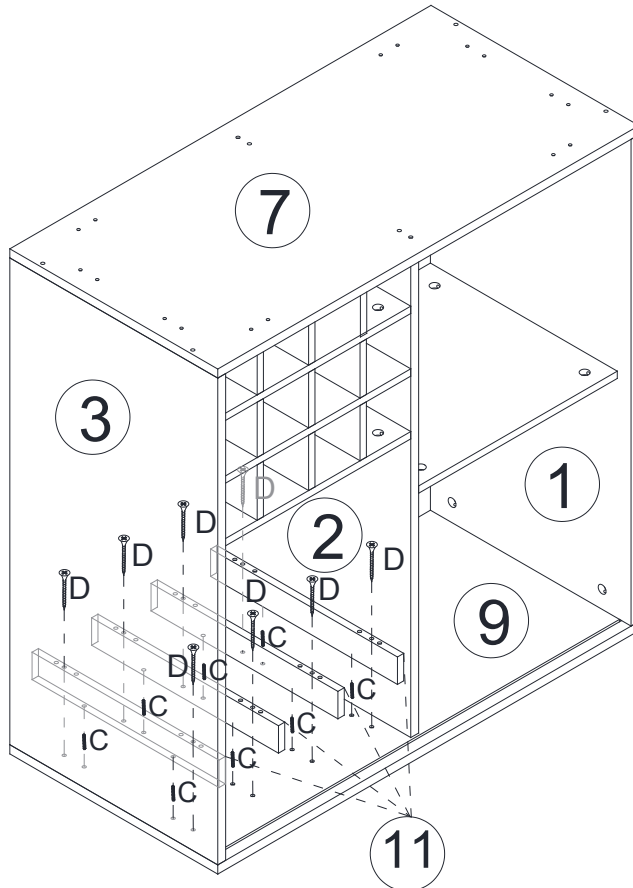
7



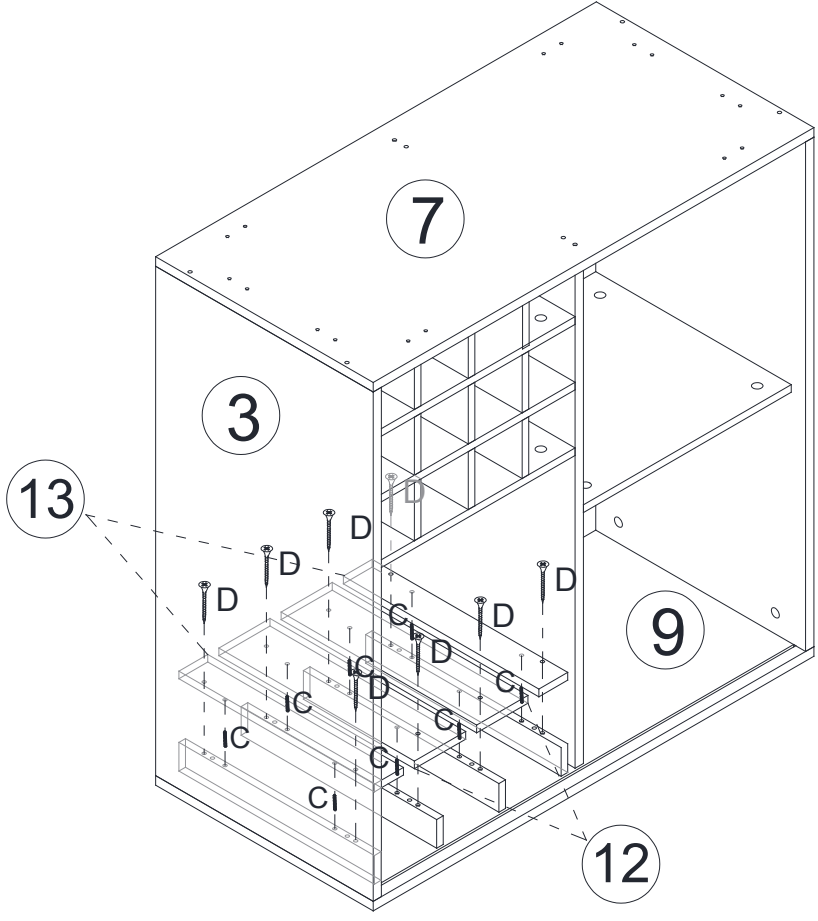
8



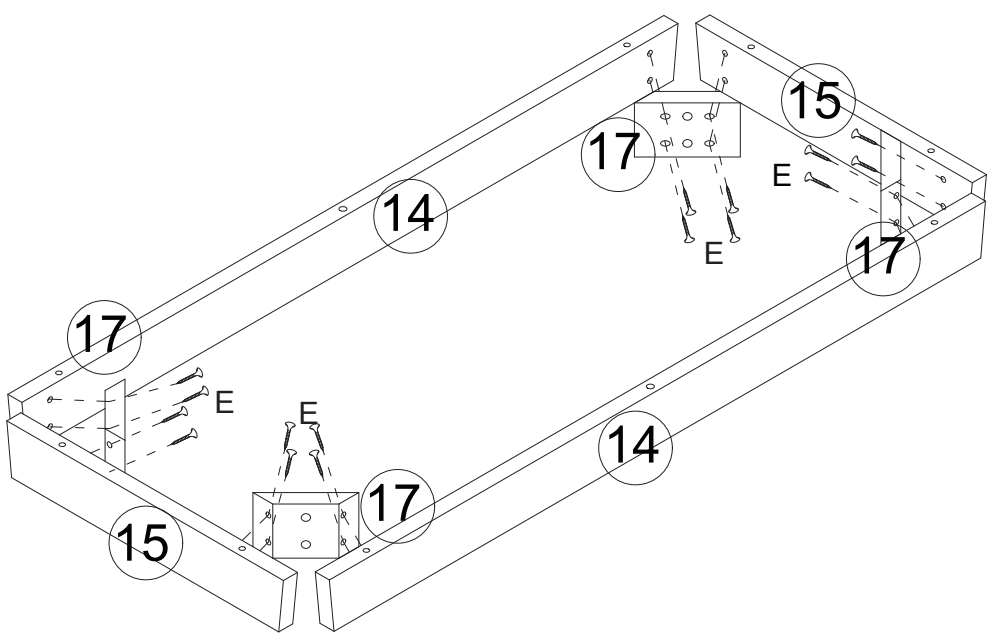
9



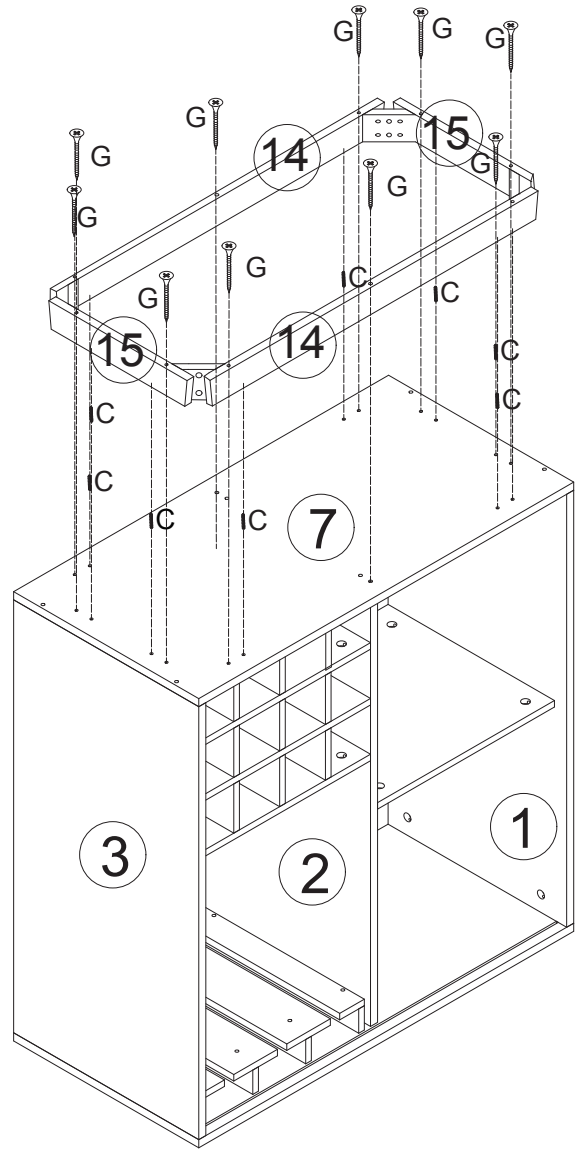
10



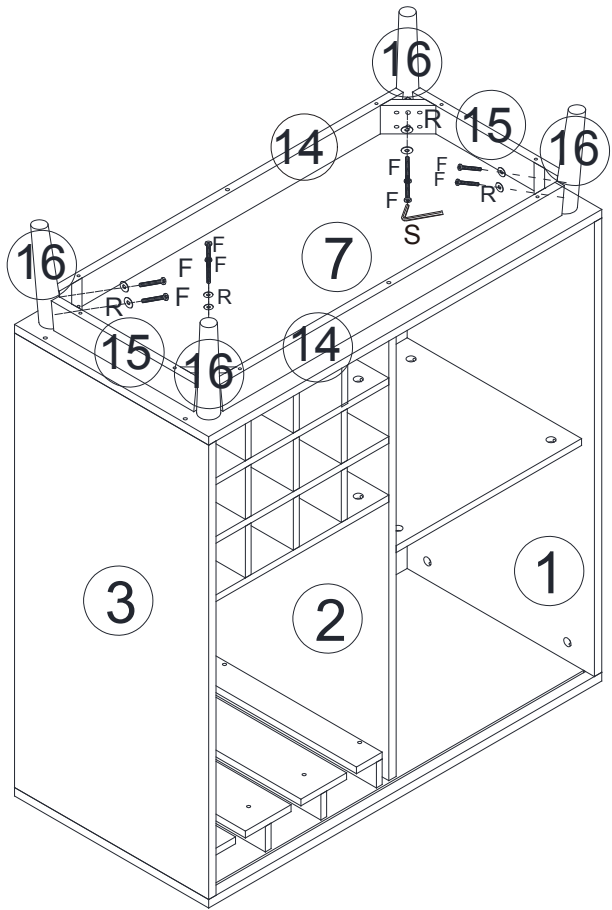
11



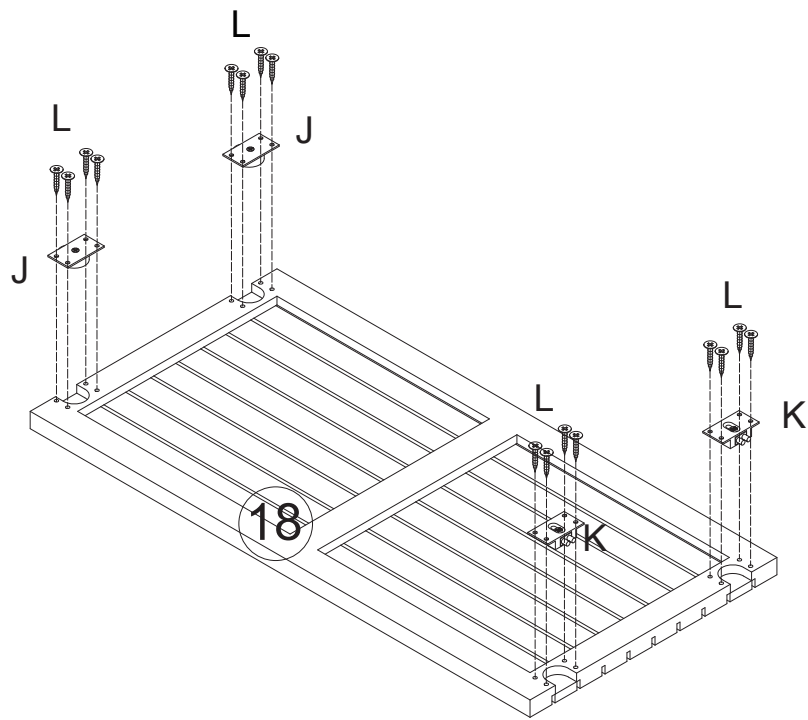
12



13



14



15

