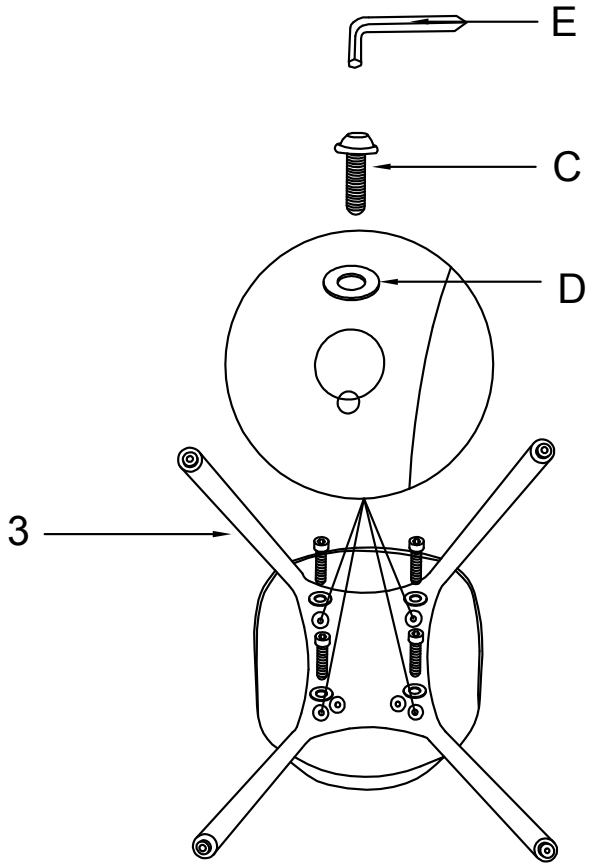
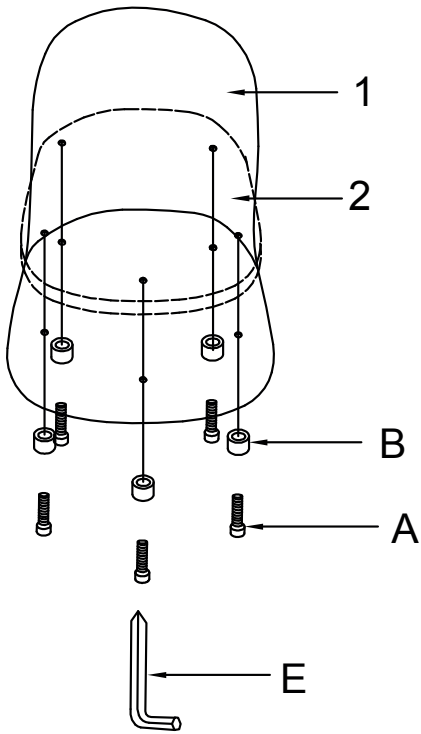
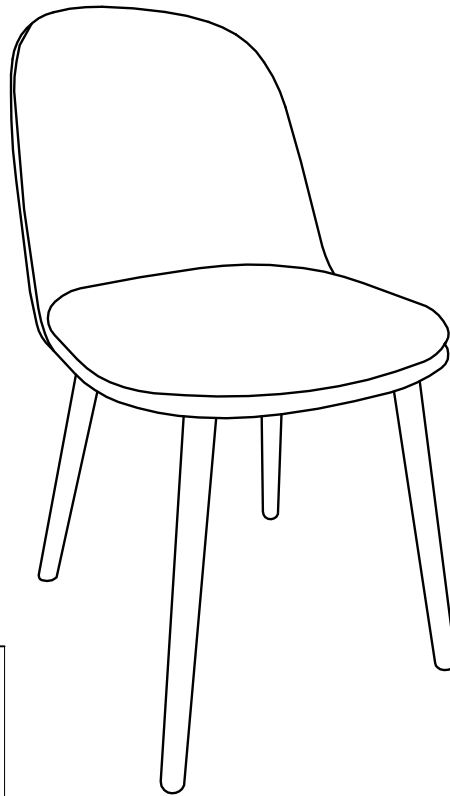


ASSEMBLY INSTRUCTIONS

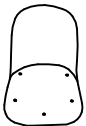
1



2



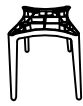
1 X 1 PC



2 X 1 PC



3 X 1 PC



A X 5 PCS



B X 5 PCS



C X 4 PCS



D X 4 PCS



E X 1 PC

