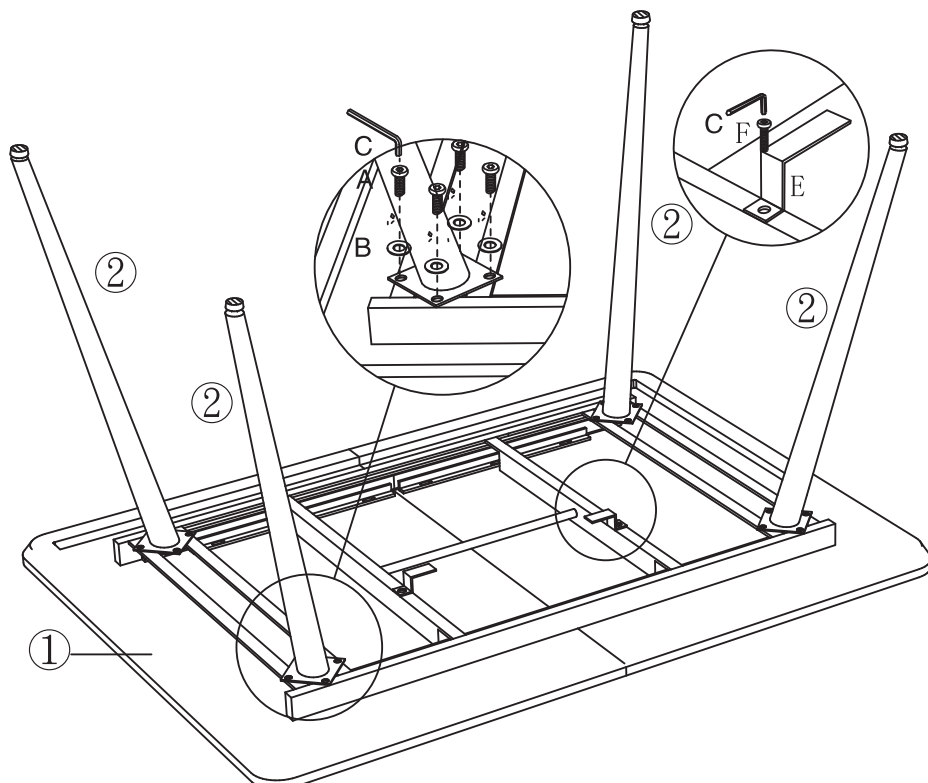


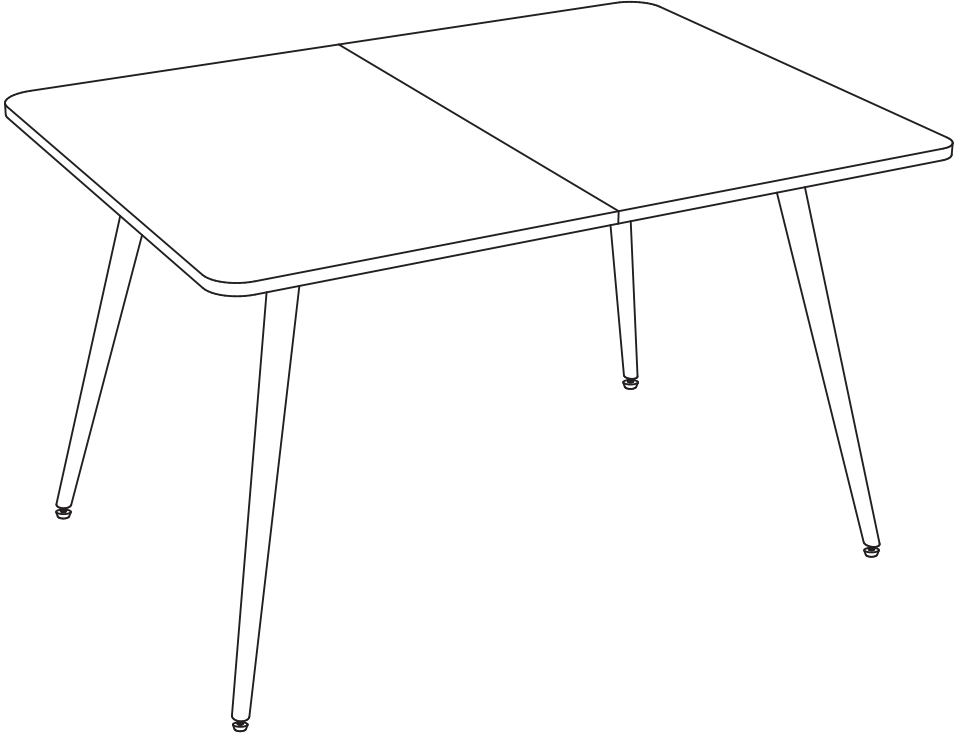
ASSEMBLY INSTRUCTIONS

<p>① x1</p>		<p>② x4</p>	
<p>A (M8x20mm) x16</p>	<p>B (M8x18mm) x16</p>	<p>C (5#) x1</p>	
<p>E x2</p>	<p>F x2 M6x13</p>		

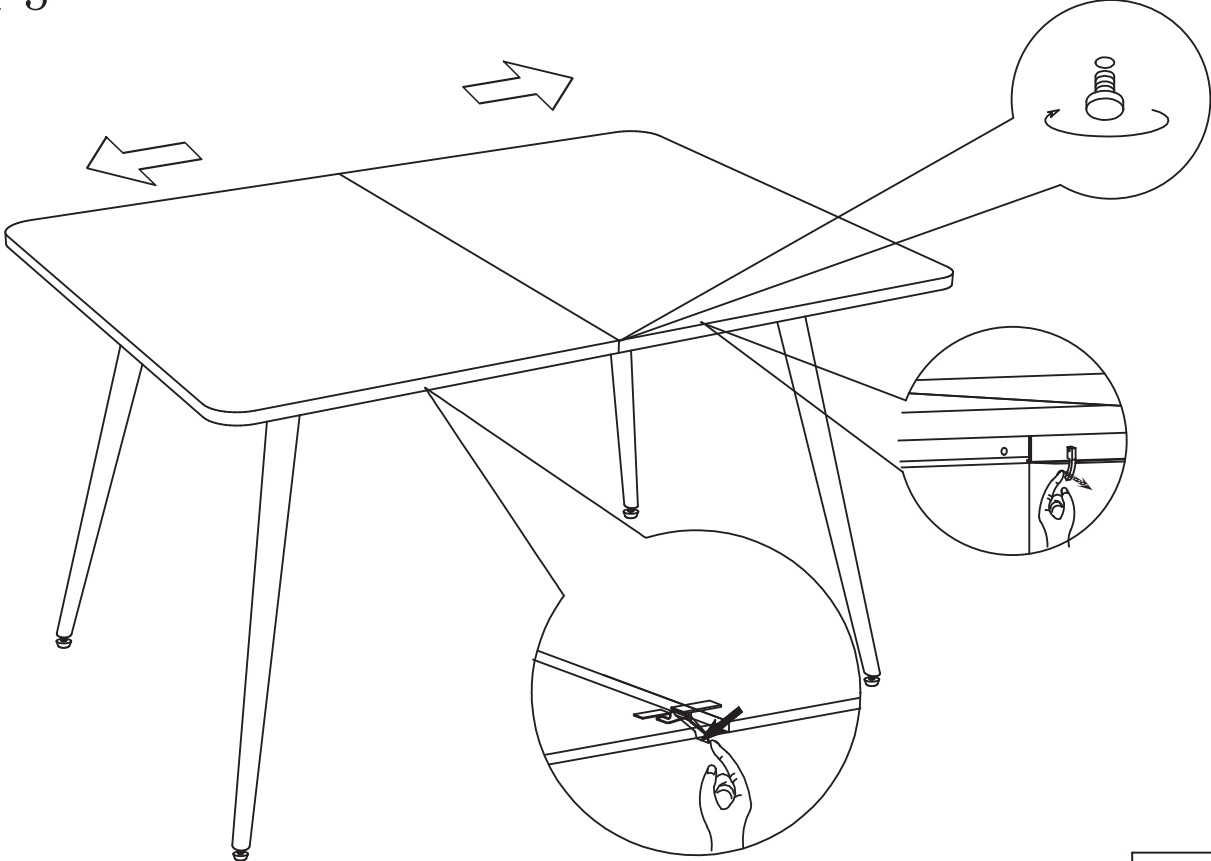
STEP 1



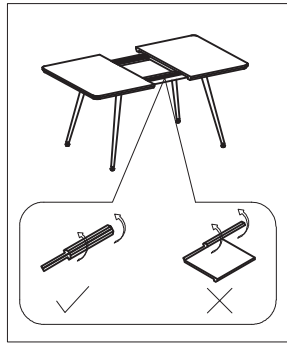
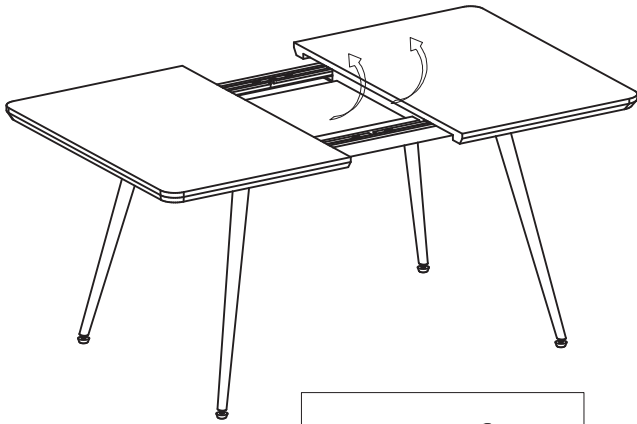
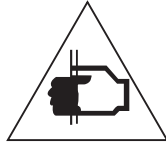
STEP 2



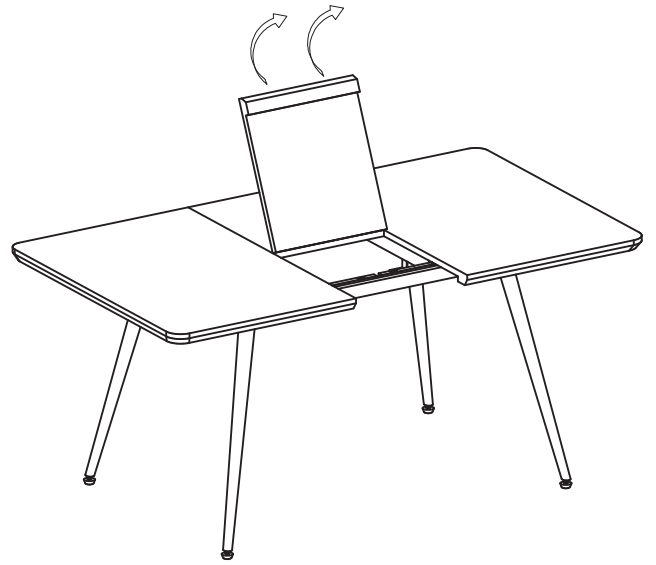
STEP 3



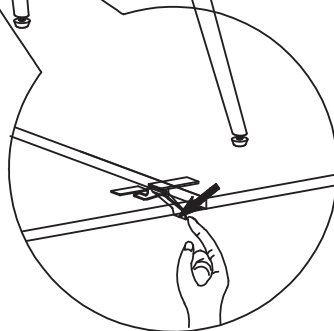
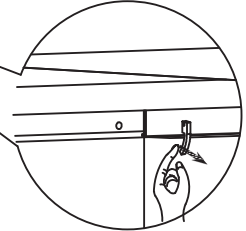
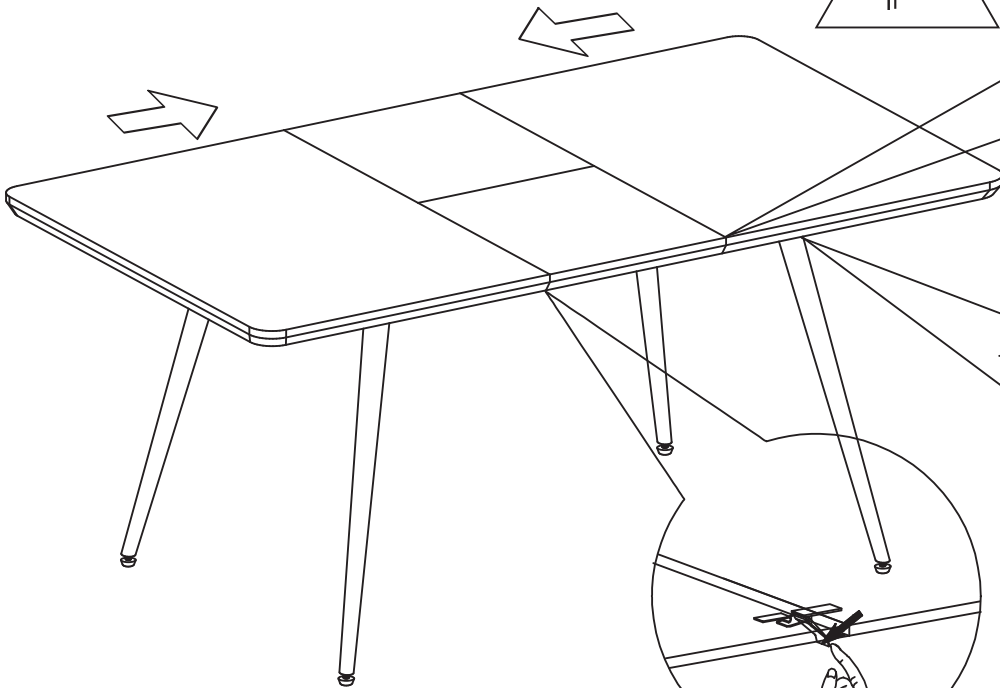
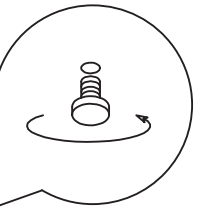
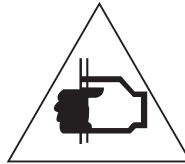
STEP 4



STEP 5



STEP 6



STEP 7

