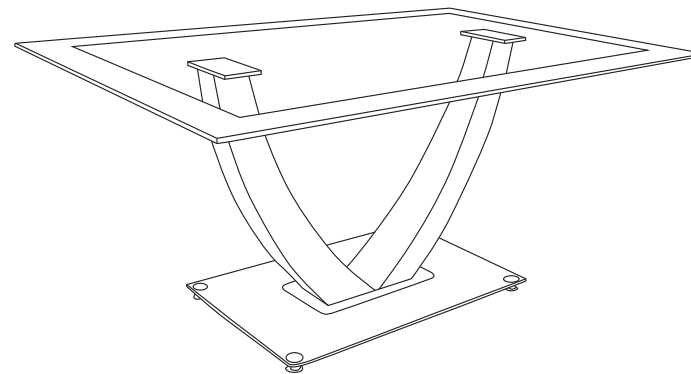
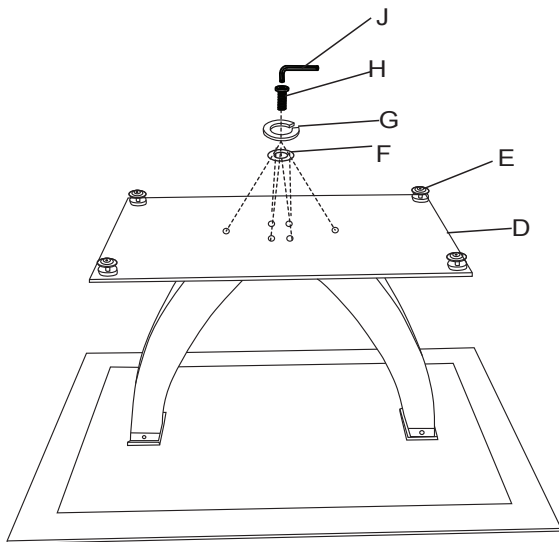
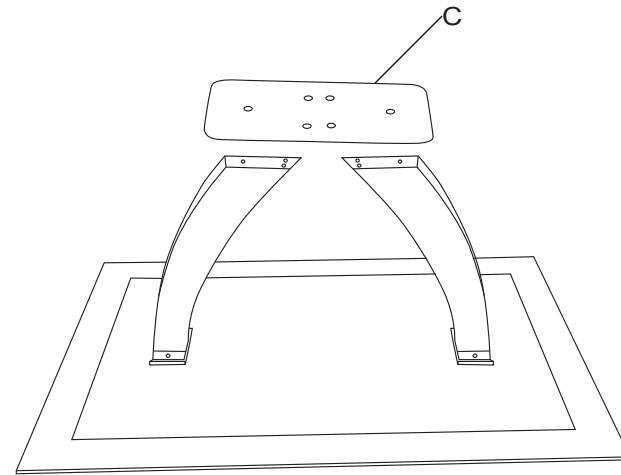
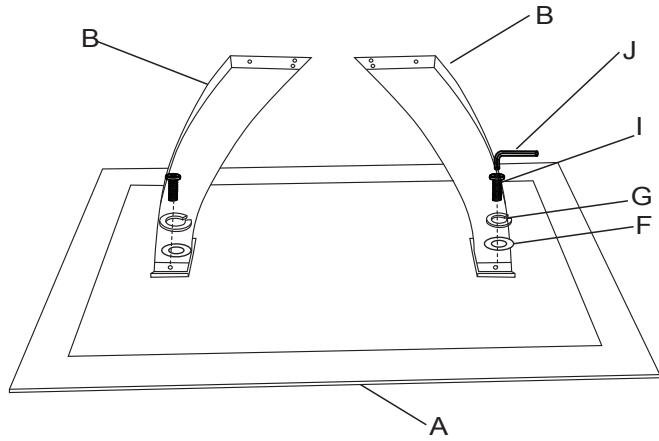


# a.

adec group.



- |   |  |     |
|---|--|-----|
| A |  | x1  |
| B |  | x2  |
| C |  | x1  |
| D |  | x1  |
| E |  | x4  |
| F |  | x10 |
| G |  | x10 |
| H |  | x6  |
| I |  | x4  |
| J |  | x1  |